

67C Series High-Pressure Regulators

Introduction

The 67C Series high-pressure regulators meet a variety of applications in liquid or vapor service. The compact body design makes the 67C Series particularly useful in installations with space limitations.

The basic 67C Series regulator comes equipped with a wrench or handwheel adjustment (67CW or 67CH Series). The highly accurate 67CD Series eliminates the need for a pressure gauge on portable applications by using calibrated scales on the spring case, allowing visual adjustment of outlet pressure. The non-adjustable 67CN Series provides a tamper-resistant spring case and one of three fixed setpoints: 10 psi, 15 psi, or 20 psi (0,69 bar, 1,0 bar, or 1,4 bar).

The 67C Series carries a UL listing as a high pressure, non-relief regulator. This series contains brass materials that are not compatible with anhydrous ammonia service.



W8810

Figure 1. 67C Series Regulators

Features

- Compact
- High Stability
- UL Listed

Table 1. Regulator Specification and Ordering Information

OUTLET PRESSURE SETTING, PSIG (bar)	SPRING RANGE, PSIG (bar)	INLET AND OUTLET CONNECTIONS	CAPACITY IN BTU/HR OF PROPANE ⁽¹⁾	ADJUSTMENT STYLE AND TYPE NUMBER		
				Wrench	Handwheel	
15 psig (1,0 bar)	3 to 20 psig (0,21 to 1,4 bar)	1/4-inch FNPT	675,000	67CW-683	67CH-751	
20 psig (1,4 bar)	3 to 35 psig (0,21 to 2,4 bar)		750,000	67CW-684	67CH-743	
40 psig (2,8 bar)	30 to 60 psig (2,1 to 4,1 bar)		1,200,000	67CW-685	67CH-742	
50 psig (3,4 bar)	50 to 135 psig (3,4 to 9,3 bar)		1,000,000	67CW-701	67CH-741	
					Dial Cap	
15 psig (1,0 bar)	5 to 20 psig (0,34 to 1,4 bar)		675,000	67CD-100		
40 psig (2,8 bar)	20 to 50 psig (1,4 to 3,4 bar)		1,200,000	67CD-102		
50 psig (3,4 bar)	40 to 100 psig (2,8 to 6,9 bar)		1,000,000	67CD-103		
					Non-Adjustable	
10 psig (0,69 bar)	Nonadjustable		400,000	67CN-106		
15 psig (1,0 bar)		600,000	67CN-104			
20 psig (1,4 bar)		750,000	67CN-105			

1. Based on inlet pressure 20 psig (1,4 bar) greater than outlet with 20% droop; Liquid capacity equals 3 to 5 GPH (11,4 to 18,9 LPH).



Bulletin LP-7:67C

Specifications

Maximum Allowable Inlet Pressure

250 psig (17,2 bar)

Maximum Emergency Outlet Pressure

50 psig (3,4 bar) above outlet pressure setting

Temperature Range

-40° to 180°F (-40° to 82°C)

Outlet Pressure Range

See Table 1

Body Sizes and End Connection Style

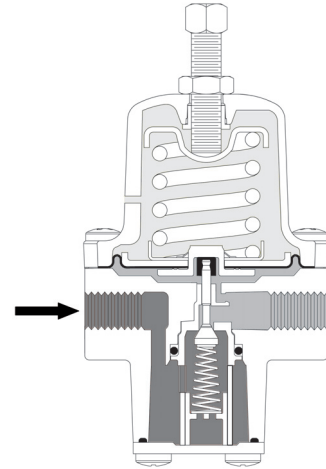
1/4-inch FNPT

Spring Case Vent Location

Aligned over inlet

Options

- Wrench Adjustment
- Handwheel Adjustment
- Dial Cap Adjustment
- Tamper-Resistant, Non-Adjustable Spring Case
- Outlet Pressure Gauge



TYPE 67C

INLET PRESSURE
 OUTLET PRESSURE
 ATMOSPHERIC PRESSURE

Figure 2. 67C Series Regulator Operational Schematic

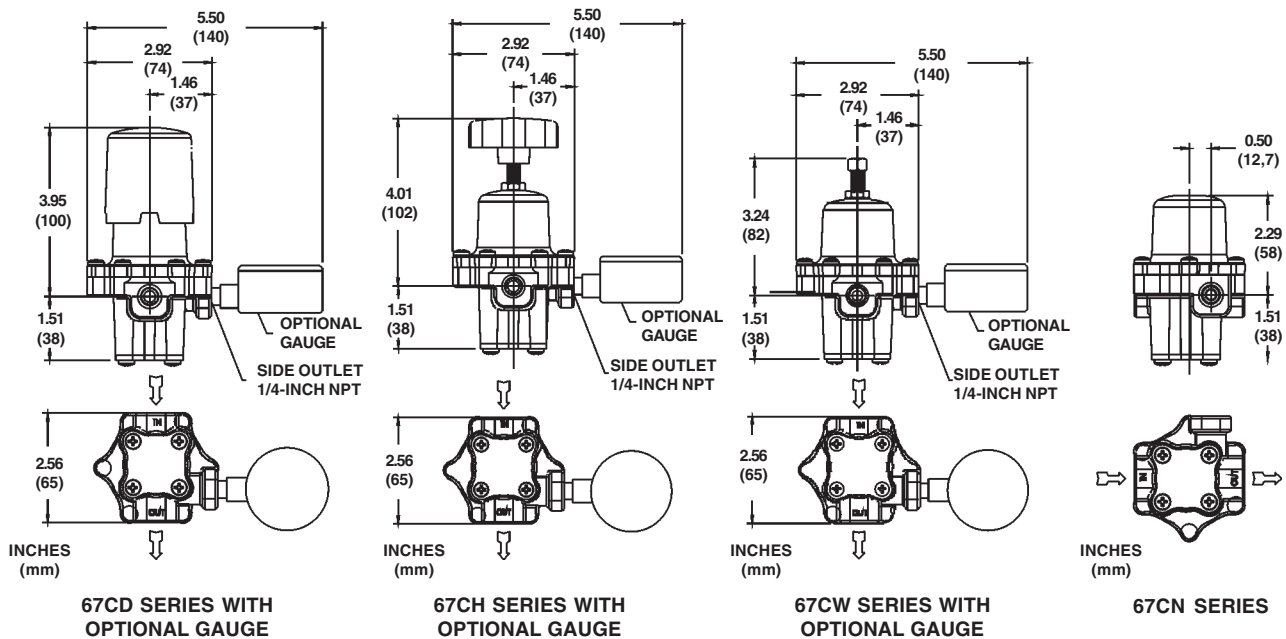


Figure 3. 67C Series Regulator Dimensions

Fisher is a mark owned by Fisher Controls International, Inc., a business of Emerson Process Management. The Emerson logo is a trademark and service mark of Emerson Electric Co. All other marks are the property of their respective owners.

The contents of this publication are presented for informational purposes only, and while every effort has been made to ensure their accuracy, they are not to be construed as warranties or guarantees, express or implied, regarding the products or services described herein or their use or applicability. We reserve the right to modify or improve the designs or specifications of such products at any time without notice.

Fisher does not assume responsibility for the selection, use or maintenance of any product. Responsibility for proper selection, use and maintenance of any Fisher product remains solely with the purchaser.

For information, contact Fisher:

Marshalltown, Iowa 50158 USA

McKinney, Texas 75070 USA

28320 Gallardon, France

40013 Castel Maggiore (BO), Italy

Sao Paulo 05424 Brazil

Singapore 128461